



ACE-BoxIPC-C4L3

인증번호 :
MSIP-REM-ANX-BoxIPC-C4L3



Key Features

- Support 2 x Gigabit LAN Ports
- Support 4 x RS232/422/485
- Support 1 x 8-bit DIO via the DB-9 port
- Support WIFI, 3G/4G and GPRS application
- Aluminum + metal aluminum
- Support Wall Mounting (Optional VESA, DIN Rail)

System

CPU	Intel® Celeron® J1900 (SOC), Quad Core, 2M Cache, 2.0GHz up to 2.41GHz
Memory	4GB DDR3L(Max.) ECC onboard
Graphics	Intel® HD Graphics
SATA	1x SATA2 (3Gbps)
Ethernet	2 x Intel® i210 GbE LAN
Sound	-
Power	Power input voltage: 9~36V DC-in jack AC-DC Adapter 60W 100~240Vac (50Hz~60Hz)

Environment

Operating Vibration	IEC68-2-64 (3G)
Operating Shock	Half sine wave 15G, 11ms, 3 shock per axis
Operating Temp	-20℃ ~ 60℃

OS

Support	Windows 7, WES 7, Windows 8.1, WES 8, Ubuntu 14.04 LTS
---------	--

Dimensions

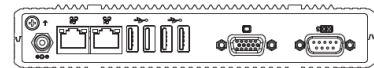
W x H x D	180 x 33 x 121mm
Weight	0.8Kg

Rear I/O

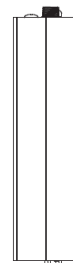
Graphic ports	1 x VGA (2560x1600@60Hz) 1 x HDMI (1920x1200@60Hz)
Ethernet	2 x RJ45
Audio	-
USB Port	1 x USB3.0 (1 x Front) 4 x USB2.0 (4 x Rear)
COM ports	4 x RS232/422/485 (one for the port support 8-bit DIO)
Expansions	3 x Mini PCIe Sockets 1 x SIM Socket 1 x microSD Socket
Others	1 x 8bit DIO

Storage

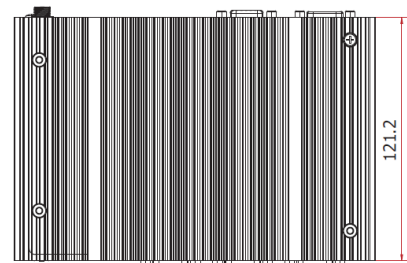
SSD	2.5" 120GB
-----	------------



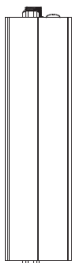
Rear View



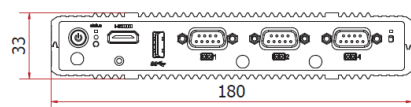
Left View



Top View



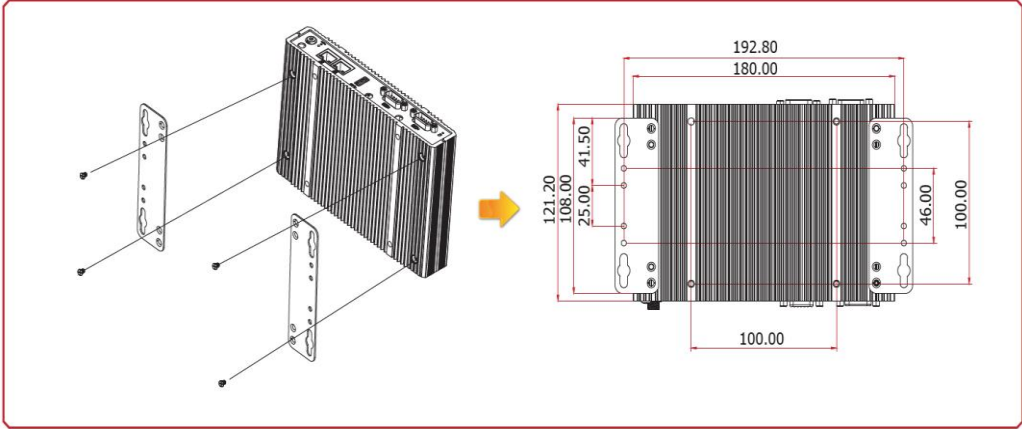
Right View



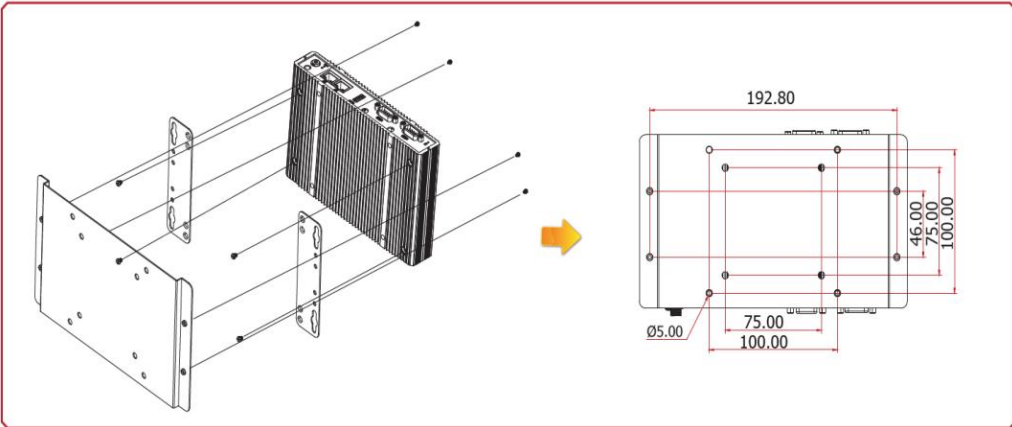
Front View

ACE-BoxIPC-C4L3

▶ Wall Mounting



▶ VESA Mounting



▶ DIN Rail Mounting

